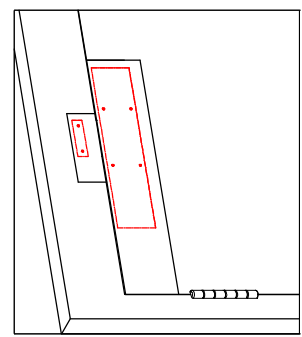
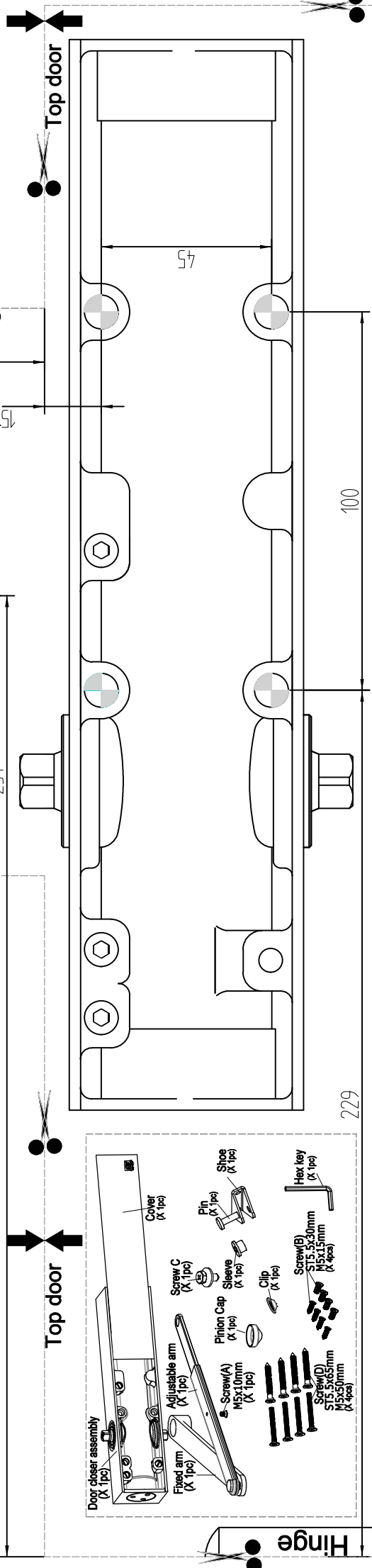
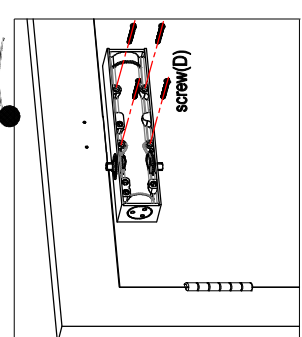


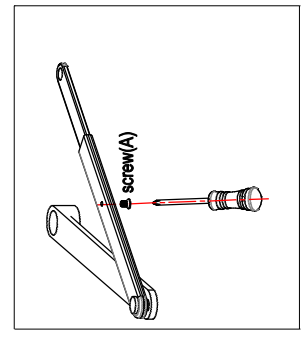
CE26V Rack And Pinion Closer Installation INSTRUCTIONS - Regular (Fig 1) Left Hand



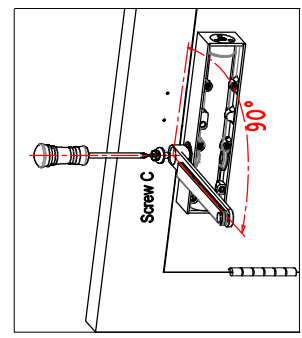
1 - Fit template to door, mark holes then remove template.



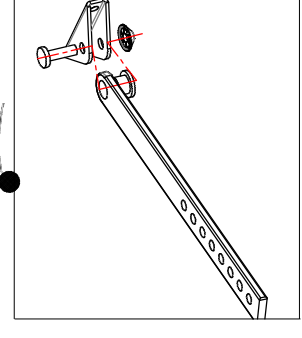
2 - Fit body to door using 4-off screws(D). Use spirit level to get body parallel to door frame.



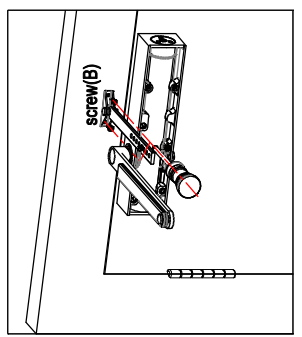
3 - Remove screw(A) from adjustable arm and take sliding part out.



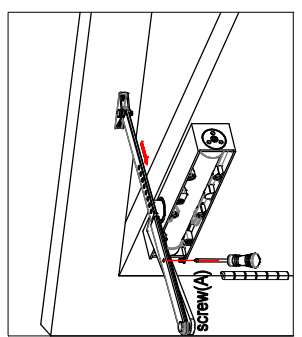
4 - Fit fixed arm to closer body using screws C and tighten. Keep fixed arm at 90° to door.



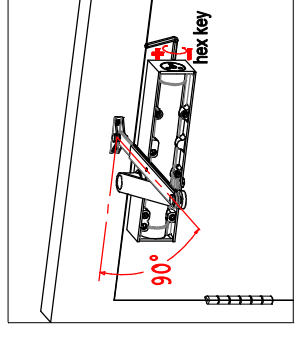
5 - Assemble adjust arm, shoe, pin, sleeve and clip together.



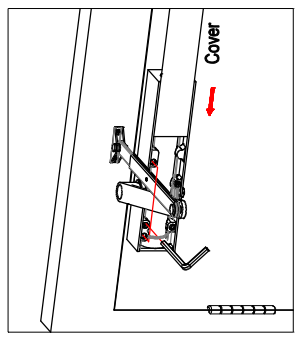
6 - Fit adjustable arm to frame using 2-off screws(B).



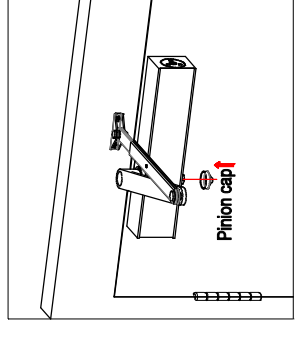
7 - Move fixed arm to meet adjustable arm, slide adjustable arm inside the channel. Keep adjustable arm at 90° and tighten screw(A) to lock sliding arm in place.



8 - According to door details (see table at side of template), adjust the closer power with hex key.



9 - Use hex key to adjust Speed and Latch valves and BC valves, assemble cover into body.



10 - Put pinion cap on body.

Tools required:
Screw driver
Spirit level
Spanner

SEWERE LIGHT/OFF
FAST SLOW

BACKCHECK

Closing speed

Latch speed

0°
15°
75°
160°

POWER ADJUSTMENT

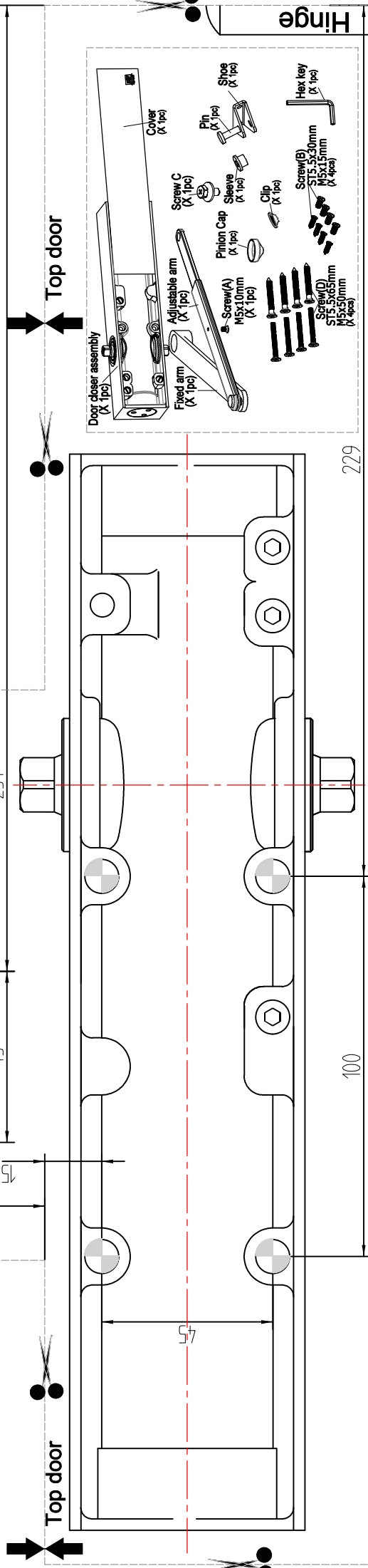
2 → 3 → 6
Factory Preset Cx16

EN1154

Factory Preset at 3

150mm/6kg
150mm/6kg
110mm/6kg
135mm/10kg
140mm/12kg

CE26V Rack And Pinion Closer INSTALLATION INSTRUCTIONS - Regular (Fig 1) Right Hand



229

1 - Fit template to door, mark holes then remove template.

2 - Fit body to door using 4-off screws(D). Use spirit level to get body parallel to door frame.

3 - Remove screw(A) from adjustable arm and take sliding part out.

4 - Fit fixed arm to closer body using screws C and tighten. Keep fixed arm at 90° to door.

5 - Assemble adjust arm, shoe, pin, sleeve and clip together.

6 - Fit adjustable arm to frame using 2-off screws(B).

7 - Move fixed arm to meet adjustable arm, slide adjustable arm inside the channel. Keep adjustable arm at 90° and tighten screw(A) to lock sliding arm in place.

8 - According to door details (see table at side of template), adjust the closer power with hex key.

9 - Use hex key to adjust Speed and Latch valves and BC valves, assemble cover into body.

10 - Put pinion cap on body.

Tools required:
Screw driver
Spirit level
Spanner

POWER ADJUSTMENT

2 → 3 → 6
O₂ Factory Preset O₁₆

0° 15° 75° 160°

BACKCHECK

FAST SLOW

EN1154

Factory Preset at 3

150mm/6in	110mm/4.3in
130mm/5.1in	140mm/5.5in